

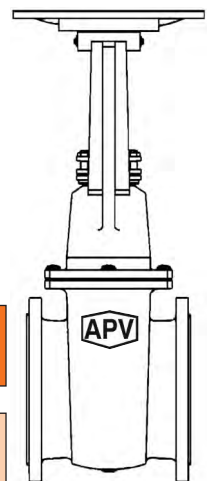


**AUSTRALIAN PIPELINE VALVE**

**Manufacturer of Valves**

**PRODUCTION PROGRAM  
ANSI VALVES**

**BALL VALVES  
BUTTERFLY VALVES  
CHECK VALVES  
GATE VALVES  
GLOBE VALVES  
PLUG VALVES  
STRAINERS**



**ASME**

**API**

**BS**

**AS**





## MATERIALS CASTING RANGE

### CARBON STEEL

A216 WCB

A352 LCB

### ALLOY STEEL

A217 WC6

A217 WC9

A217 C5

A217 C12

### STAINLESS STEEL

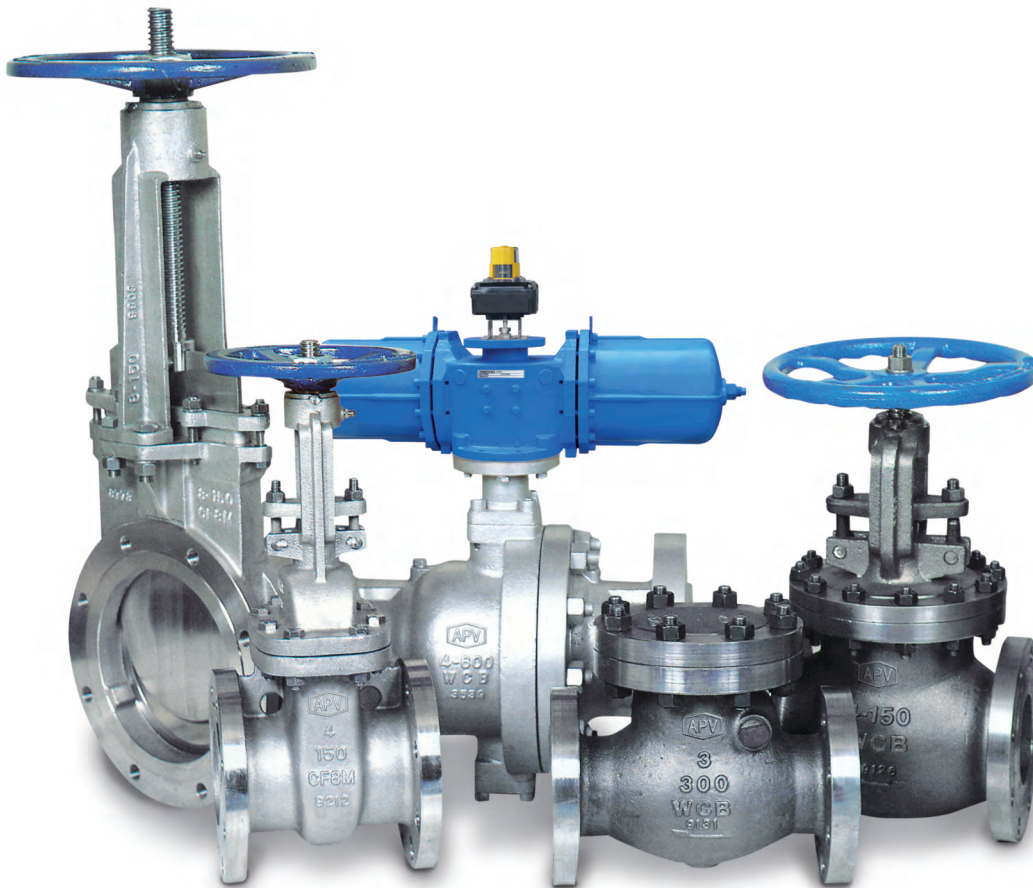
A351 CF3M

A351 CF8C

A351 CF8M

A351 CF8

FORGED EQUIVALENTS & ALL OTHER MATERIALS AVAILABLE

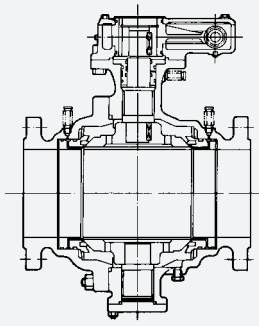

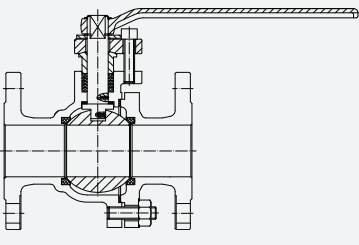

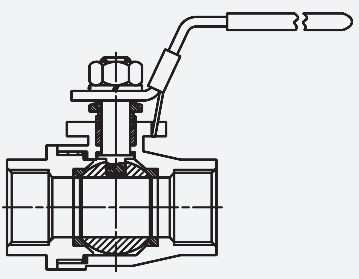



For technical references and ATSM/ASME cross reference information on stainless, duplex, chrome-moly and alloy steel used valves & piping systems in the petrochemical and refining go to our website:

<http://www.australianpipelinevalve.com.au>

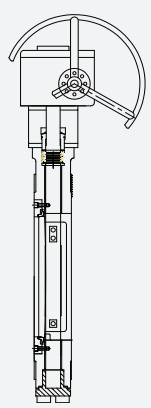
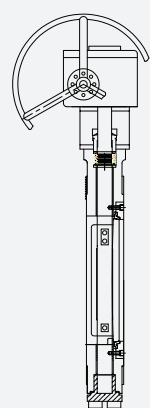


## BALL VALVES - FORGED & CAST

TYPE	CLASS	SIZES			
	<b>2P &amp; 3P TRUNNION (FORGED &amp; CAST)</b>	ASME 150 1/2" - 36" 300 1/2" - 30" 600 1/2" - 28" 900 1/2" - 24" 1500 1/2" - 20" 2500 1/2" - 16" 4500 2" - 4"			
	 Firesafe Certified API 607 5th Edition, API 6FA 3rd Edition				
		<b>2P &amp; 3P FLOATING (CAST &amp; FORGED)</b>	ASME 150 1/2" - 12" 300 1/2" - 10" 600 1/2" - 4" 900 1/2" - 2" 1500 1/2" - 2" 2500 1/2" - 1 1/2"		
		 Firesafe Certified API 607 5th Edition, API 6FA 3rd Edition			
			<b>SMALL DIAMETRE (SCREWED &amp; WELD END)</b>	ASME 800 1/2" - 4" 1500 1/2" - 3" 2500 1/2" - 3"	
			 Firesafe Certified API 607 5th Edition, API 6FA 3rd Edition		

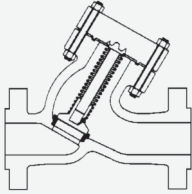
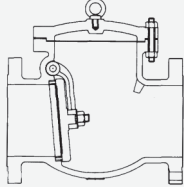
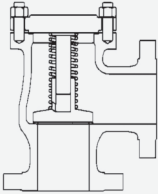
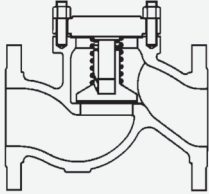
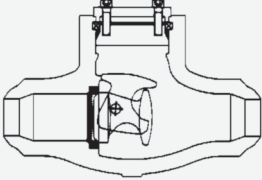
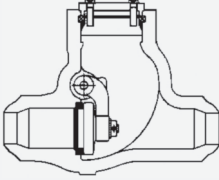
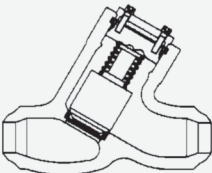
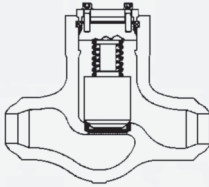


## BUTTERFLY VALVES HIGH PERFORMANCE

TYPE	CLASS	SIZES	TYPE	CLASS	SIZES
<b>DOUBLE ECCENTRIC</b>  		ASME 150 2" - 40" 300 2" - 36" 600 2" - 24" 900 2" - 14" 1500 2" - 12"	<b>TRIPLE ECCENTRIC</b>  		ASME 150 2" - 40" 300 2" - 36" 600 2" - 30" 900 2" - 24" 1500 2" - 16" 2500 2" - 10"

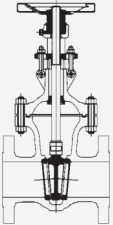
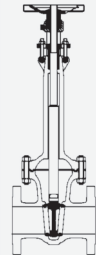
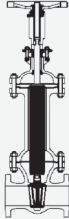
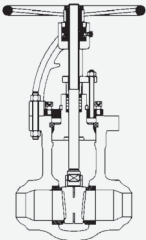
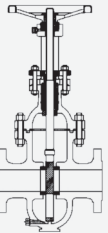
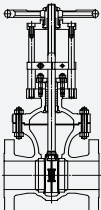


# CHECK VALVES - CAST

TYPE	CLASS	SIZES	TYPE	CLASS	SIZES
<b>PISTON Y TYPE</b> 	150 300 600 900 1500 2500	ASME 2" - 24" 2" - 24" 2" - 14" 2" - 14" 2" - 12" 2" - 6"	<b>SWING BOLTED BONNET</b> 	150 300 600 900 1500 2500	ASME 2" - 48" 2" - 48" 2" - 40" 2" - 24" 2" - 24" 2" - 12"
<b>PISTON 90° ANGLE</b> 	150 300 600 900 1500 2500	ASME 1½" - 14" 1½" - 12" 2" - 10" 2" - 8" 2" - 6" 2" - 4"	<b>PISTON</b> 	150 300 600 900 1500	ASME 2" - 16" 2" - 16" 2" - 12" 2" - 12" 2" - 12"
<b>TILTING DISC PRESSURE SEAL</b> 	600 900 1500 2500	ASME 2" - 24" 2" - 24" 2" - 24" 2" - 12"	<b>SWING PRESSURE SEAL</b> 	600 900 1500 2500	ASME 2" - 24" 2" - 24" 2" - 24" 2" - 12"
<b>LIFT PRESSURE SEAL Y TYPE</b> 	600 900 1500 2500 4500	ASME 2" - 16" 2" - 16" 2" - 12" 2" - 12" 2" - 8"	<b>LIFT PRESSURE SEAL STRAIGHT</b> 	600 900 1500 2500 4500	ASME 2" - 16" 2" - 16" 2" - 12" 2" - 12" 2" - 8"

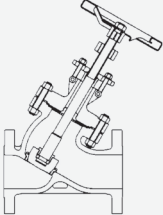
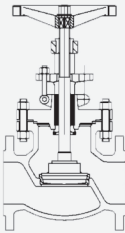
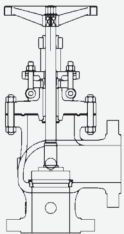
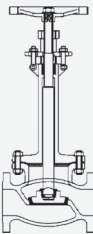
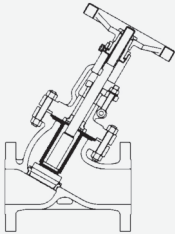
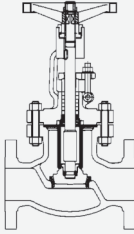
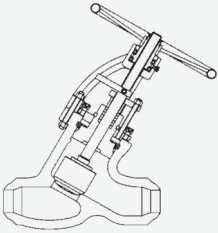
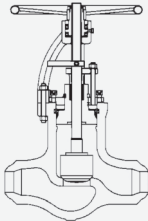


# GATE VALVES - CAST

TYPE	CLASS	SIZES
	<p><b>BOLTED BONNET</b></p>	<p>ASME 150 2" - 48" 300 2" - 48" 600 2" - 40" 900 2" - 24" 1500 2" - 24" 2500 2" - 12"</p>
	<p><b>CROYGENIC EXTENDED BONNET</b></p>	<p>ASME 150 2" - 40" 300 2" - 40" 600 2" - 24" 900 2" - 24" 1500 2" - 24"</p>
	<p><b>BELLOW SEAL</b></p>	<p>ASME 150 2" - 24" 300 2" - 24" 600 2" - 24" 900 2" - 16" 1500 2" - 16"</p>
	<p><b>PRESSURE SEAL</b></p>	<p>ASME 600 2" - 24" 900 2" - 24" 1500 2" - 24" 2500 2" - 24" 4500 2" - 8"</p>
	<p><b>THROUGH CONDUIT</b></p>	<p>ASME 150 2" - 40" 300 2" - 40" 600 2" - 40" 900 2" - 24" 1500 2" - 24"</p>
	<p><b>PARALLEL SLIDE</b></p>	<p>ASME/BS 150 2" - 40" 300 1/2" - 36" 600 1/2" - 30" 900 1/2" - 26" 1500 1/2" - 24"</p>

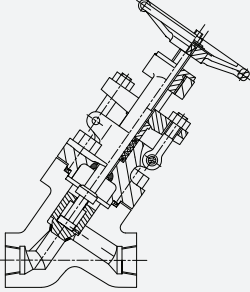
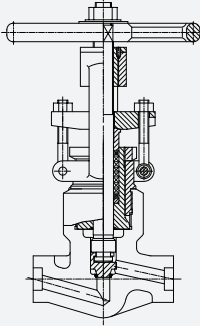


# GLOBE VALVES - CAST

TYPE	CLASS	SIZES	TYPE	CLASS	SIZES
<b>Y TYPE</b> 	150 300 600 900 1500	ASME 2" - 16" 2" - 16" 2" - 16" 2" - 12" 2" - 12"	<b>BOLTED BONNET</b> 	150 300 600 900 1500	ASME 2" - 16" 2" - 16" 2" - 16" 2" - 12" 2" - 12"
<b>ANGLE 90°</b> 	150 300 600 900 1500	ASME 2" - 16" 2" - 16" 2" - 16" 2" - 12" 2" - 12"	<b>CRYOGENIC</b> 	150 300 600 900 1500	ASME 2" - 16" 2" - 16" 2" - 16" 2" - 12" 2" - 12"
<b>BELLOW SEAL Y TYPE</b> 	150 300 600 900 1500	ASME 2" - 16" 2" - 16" 2" - 16" 2" - 12" 2" - 12"	<b>BELLOW SEAL</b> 	150 300 600 900 1500	ASME 2" - 16" 2" - 16" 2" - 16" 2" - 12" 2" - 12"
<b>PRESSURE SEAL Y TYPE</b> 	600 900 1500 2500 4500	ASME 2" - 16" 2" - 16" 2" - 12" 2" - 12" 2" - 8"	<b>PRESSURE SEAL</b> 	600 900 1500 2500 4500	ASME 2" - 16" 2" - 16" 2" - 12" 2" - 12" 2" - 8"



## GATE, GLOBE & CHECK - FORGED

TYPE	CLASS	SIZES	TYPE	CLASS	SIZES
<b>BOLTED BONNET</b> 		ASME	<b>PRESSURE SEAL &amp; WELDED BONNET</b> 		ASME
	150	1/2" - 2"		1500	1/4" - 2 1/2"
	300	1/2" - 2"		2500	1/4" - 2 1/2"
	600	1/2" - 2"		2690	1/4" - 2"
	800	1/4" - 3"			
	1500	1/4" - 3"			
	2500	1/4" - 2"			
2690	1/4" - 1 1/2"				



## PLUG VALVES - CAST



Firesafe Certified  
API 607 5th Edition,  
API 6FA 3rd Edition

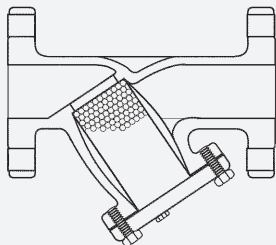
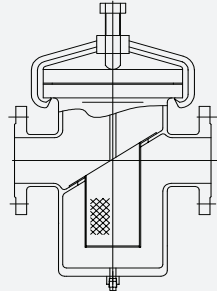
TYPE	CLASS	SIZES
	<b>LUBRICATED PRESSURE BALANCE PLUG FIRESAFE</b>	
	150	ASME 1" - 20"
	300	ASME 1" - 20"
	600	ASME 1/2" - 18"
	900	ASME 1/2" - 12"
	1500	ASME 1/2" - 10"
	2500	ASME 1/2" - 8"



Firesafe Certified  
API 607 5th Edition,  
API 6FA 3rd Edition



## STRAINERS - CAST & FORGED

TYPE	CLASS	SIZES	TYPE	CLASS	SIZES
<b>Y TYPE</b> 		ASME	<b>BASKET TYPE</b> 		ASME
	150	2" - 24"		150	2" - 14"
	300	2" - 24"		300	2" - 12"
	600	2" - 24"		600	2" - 10"
	900	2" - 16"		900	2" - 8"
	1500	2" - 16"		1500	2" - 6"
2500	2" - 8"	2500	2" - 4"		



# FAMILY OF BRANDS

This brochure covers the full range of ASME valves manufactured by Australian Pipeline Valve such as check, gate, globe, as well as firesafe certified ball and plug valves for petrochemical, oil, gas, mining, process and industrial markets under the Australian Pipeline Valve brand. Australian Pipeline Valve also supply oilfield wellheads and associated products.

The Australian Pipeline Valve family also includes the following brands manufactured to ASME, AS, BS and DIN which cover a broad range of valve types and pipeline products for all industries:

APV- <i>Diamond Gear</i> <sup>®</sup>	1/4 turn worm gearboxes, declutchable gear boxes, multi-turn bevel gearboxes
APV- <i>Flowturn</i> <sup>®</sup>	Iron diaphragm, gate, globe, check valves, multi-way ball valves, deadman ball valves, needle valves, sight glasses, strainers.
APV- <i>Steamco</i> <sup>®</sup>	Steam valves: parallel slide, stop check (SDNR), right angle globe.
APV- <i>Supercheck</i> <sup>®</sup>	Dual & single flap wafer check valves.
APV- <i>Superseal</i> <sup>®</sup>	High performance and lined butterfly valves for all industries including oil, gas, chemical etc. Also iron and steel ball valves for industrial markets.
APV- <i>Torqturn</i> <sup>®</sup>	Pneumatic & hydraulic heavy duty piston actuators to suit pipeline valves for oil & gas installations. Scotch yoke, rack & pinion, all sizes, up to very high torque range.
APV- <i>Uniflo</i> <sup>®</sup>	Cast iron rubber seat check valves.
APV- <i>Twinlok</i> <sup>®</sup>	Twin ferrule stainless steel tube compression fittings fully interchangeable with major brands.



**TWIN-LOK**



**STEAMCO**<sup>™</sup>

**UNIFLO**<sup>™</sup>

**SUPERSEAL**<sup>®</sup>

**SUPER-CHECK**<sup>™</sup>

**TORQTURN**

[www.australianpipelinevalve.com.au](http://www.australianpipelinevalve.com.au)