

BALL VALVES - MULTIWAY AND DEADMAN

SHORT VERSION

[Click here](#) for complete version of this catalogue



**AUSTRALIAN
PIPELINE VALVE®**

www.australianpipelinevalve.com.au

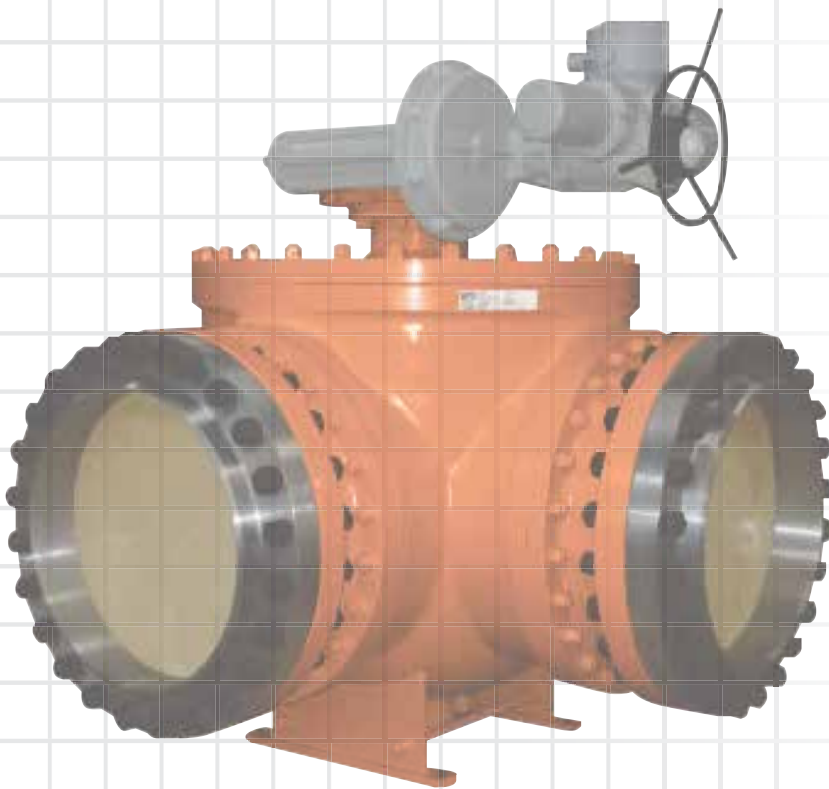
QUALITY VALVE MANUFACTURER

QUALITY COMMITMENT

Quality is Our First Priority.

Consistent product quality and a proven track record makes Australian Pipeline Valve a dependable choice where total reliability is the number one concern.

Since its founding, APV's philosophy has been focused on quality. Our valves are manufactured in full compliance to worldwide standards (such as ASME/ANSI, API, EN, ISO, BS, AS).



**AUSTRALIAN
PIPELINE VALVE®**

70-78 Stanbel Road Salisbury Plain South Australia 5109

Telephone +61 (0)8 8285 0033

email: admin@australianpipelinevalve.com.au

CONTENTS - SHORT VERSION*

Spring Return Deadman Handle KI Series	4*
Spring Return Deadman Handle 76-500 Series	5~6*
Spring Return Deadman Handle High Cycle S-76-K-L200H Series	7
Spring Return Deadman Handle Quarter Turn S71 Series	8
Fusible Link Emergency Shutdown Quarter Turn Valves	9*
Multiway Side Entry Unibody SL8141-1P	10~11*
4-Way Double L Port Ball Valves SL8141KI	12*
Multiway Side Entry Unibody SL8142-F	13~14*
Multiway Side Entry 2 Piece SL9141	15~16*
Multiway Flanged Ball Valve BV-509HP Series	17*
Multiway Ball Valve BV-509 Series	18~19
Multiway Flanged End Ball Valve BV-509A Series	20
Multiway Screwed Ends Ball Valve BVTC810 Series	21
Multiway Side Entry Spooled Body Ball Valve BV501T	22~23*
Multiway Screwed / Weld End Ball Valve BV-509 Series	24~25*
Multiway Screwed End Ball Valve BV-2057 / BV-L500~L540 Series	26~27
Multiway Screwed / Weld End Ball Valve BV513THP-3000 PSI	28*
Multiway Screwed End Ball Valve (Full Port) L230-KV Series	28~29*
Multiway Screwed End Brass Ball Valve 3L3200 Series	30~31*
Instrument Ball Valves 40 Series	32*
Technical	33*

* This version excludes some of these pages, refer to full version at website.



© Copyright Australian Pipeline Valve 1990 - 2024 Edition

Catalogues, photos, brochures and technical publications are the exclusive property of Australian Pipeline Valve. Any unauthorised reproduction in total or in part, shall result in prosecution. Products and data sheets in this publication are subject to change at anytime without notice. Australian Pipeline Valve reserves the right to carry out amendments to products and materials.

DEADMAN SPRING RETURN BALL VALVE HIGH CYCLE 660-L200H+S71-508~510-01

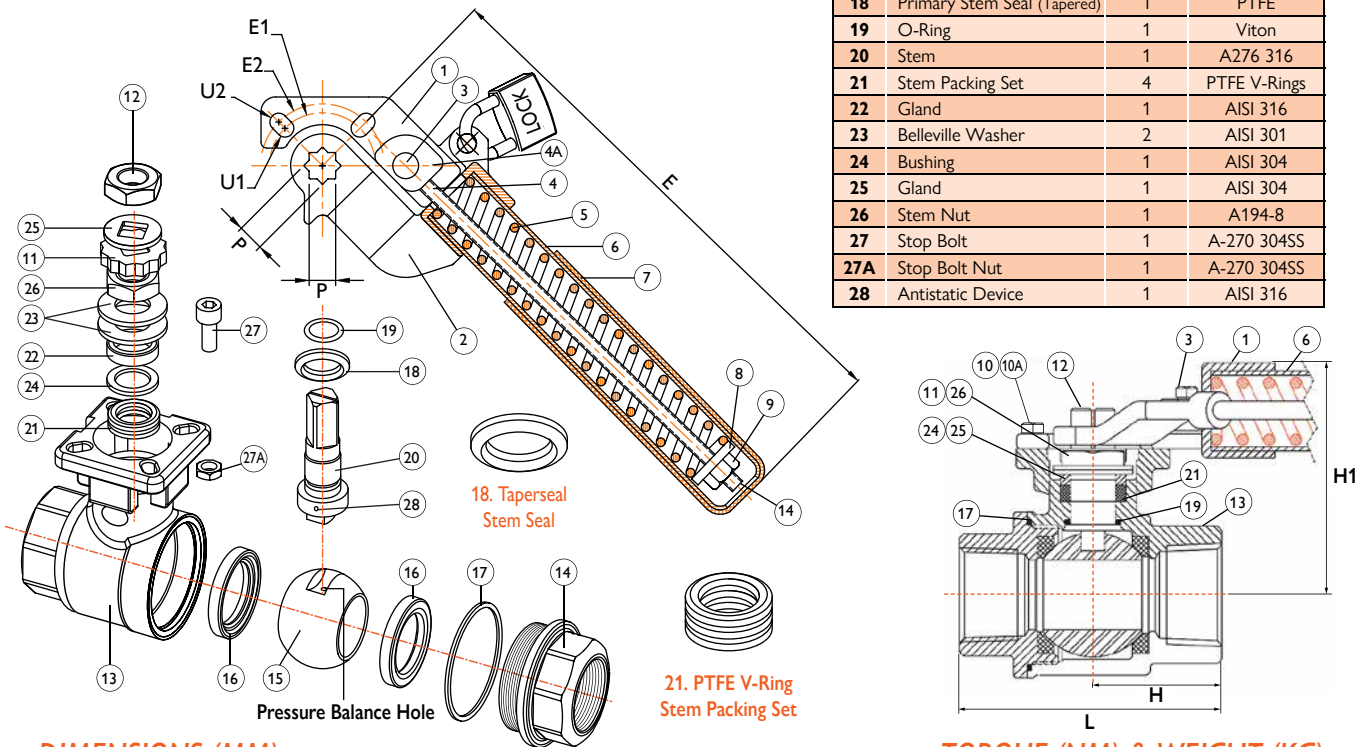
FEATURES

- Full Port DN 8NB~80NB (1/4"- 3")
- 2000PSI (13790 kPa) for 25NB
1500PSI (10342 kPa) for 32~80NB
- Spring Return Handle (Dead Man Handle) for Auto Default Position
- High Cycle Triple Barrier Stem Seal System
- V-Type Packing for Maximum Stem Sealing
- Belleville Washer Design for Automatic Compression of Stem Sealing
- Direct Mount Pad (ISO 5211)
- TA Luft Fugitive Emission Compliant
- Precision Investment Heavy Hex 2 Piece Cast Body
- Blow-Out Proof Stem
- Available in Carbon Steel or Stainless Steel
- Various End Connections Available (NPT, BSP, ISO 7/1/ ISO 228/1, BW, etc.)



MATERIALS LIST

No.	Part Name	Quantity	Material
1	Handle Head	1	AISI 304/CF8
2	Anchor	1	AISI 304/CF8
3	Shaft Bolt	1	SUS304
4	Spring Shaft	1	AISI 304/SUS316
4A	Spring Rod Anchor	1	SUS304
5	Spring	1	55CrSi/SUS301
6	Handle	1	AISI 304
7	Sleeve	1	PVC
8	Tension Adjustment Washer	1	AISI 304
9	Hex Nut	1	AISI 304
10	Hex Screws	2	A2-70 304SS
10A	Lock Nuts (Nylon Insert)	2	SUS304
11	Stop Lock Cap	1	AISI 304
12	Handle Nut	1	A194-8
13	Body	1	CF8M
14	Cap	1	CF8M
15	Ball	1	SUS316
16	Seats	2	RPTFE TFM4215
17	Body Gasket	1	PTFE
18	Primary Stem Seal (Tapered)	1	PTFE
19	O-Ring	1	Viton
20	Stem	1	A276 316
21	Stem Packing Set	4	PTFE V-Rings
22	Gland	1	AISI 316
23	Belleville Washer	2	AISI 301
24	Bushing	1	AISI 304
25	Gland	1	AISI 304
26	Stem Nut	1	A194-8
27	Stop Bolt	1	A-270 304SS
27A	Stop Bolt Nut	1	A-270 304SS
28	Antistatic Device	1	AISI 316



DIMENSIONS (MM)

TORQUE (NM) & WEIGHT (KG)

Inch	DN	PSI	L	d	E	H	H1	T	P	M	E1	E2	U1	U2	Hex. B	ISO 5211	Valve NM	Deadman NM	Lever	Weight
1/4"	8	2000	62	10.6	170	43.1	74	29.0	9	9	36	42	6	6	23.5	F03~F04	7	15	S71-504-00	1.10
3/8"	10	2000	62	12.7	170	43.1	74	29.0	9	9	36	42	6	6	23.5	F03~F04	8	15	S71-504-00	1.10
1/2"	15	2000	75	15.0	170	43.1	74	34.5	9	9	36	42	6	6	28.0	F03~F04	8	15	S71-504-00	1.20
3/4"	20	2000	80	20.0	207	50.7	82	37.0	9	9	36	50	6	7	33.0	F03~F05	9	20	S71-507-00	1.30
1"	25	2000	90	25.0	275	58.5	90	45.0	11	11	42	50	6	7	45.0	F04~F05	16	30	S71-508-00	1.50
1-1/4"	32	1500	110	32.0	280	51.0	74	-	11	-	42	70	6	9	51.0	F04~F07	26	32	S71-508-01	2.94
1-1/4"	32	1500	110	32.0	450	51.0	74	-	11	-	50	70	6	9	51.0	F05~F07	26	56	S71-509-01	3.52
1-1/2"	40	1500	120	38.0	450	60.0	87	-	14	-	50	70	7	9	59.0	F05~F07	37	56	S71-509-01	4.60
2"	50	1500	140	50.0	450	70.0	97	-	14	-	50	70	7	9	73.0	F04~F07	47	56	S71-509-01	6.00
2"	50	1500	140	50.0	520	70.0	97	-	14	-	50	70	7	9	73.0	F10	53	100	S71-510-01	7.95

This catalogue is general in it's nature and design and can vary at any time. This catalogue is to be used as a guide only.

SPRING RETURN DEADMAN HANDLE FOR QUARTER TURN VALVES S71 SERIES (KITS)

FEATURES

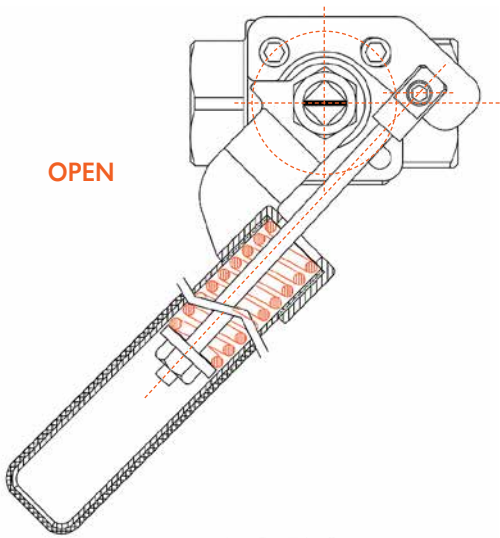
- All components of lever are stainless steel
- Operating torque should be sized according to valve torque, media, pressure and safety.
- Can be fitted on 1P, 2P, 3P valve
- Available in ISO F03 to F07
- 55CrSi Spring Material



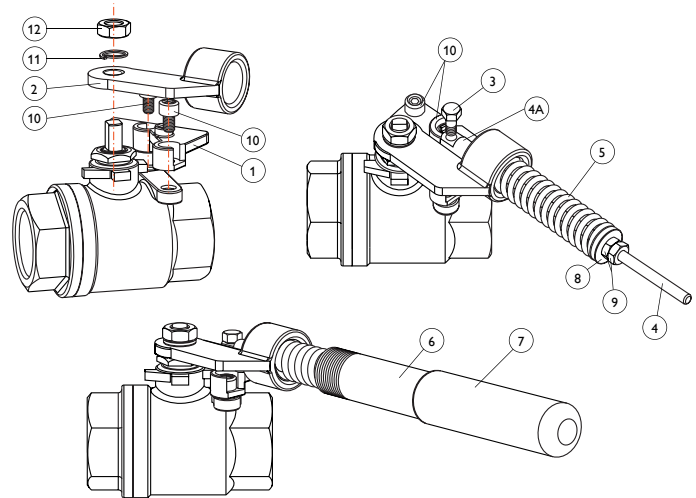
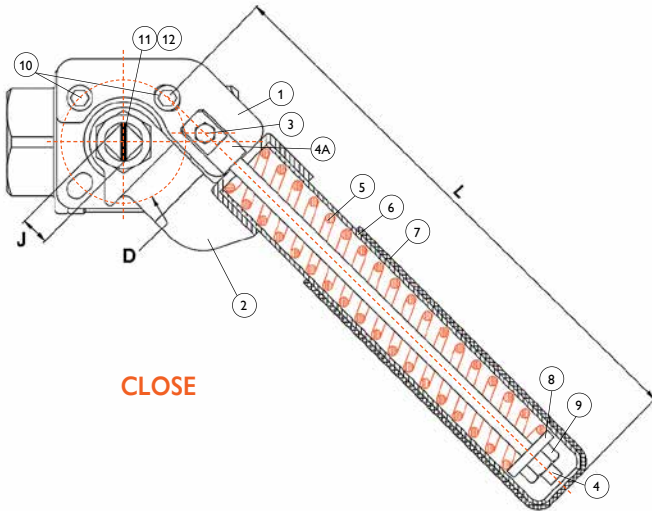
MATERIALS LIST

Item	Part Name	Quantity	Materials
1	Handle Head	1	CF8
2	Anchor	1	CF8
3	Anchor Screw	1	SS 304
4	Spring Rod	1	SS 304
4A	Spring Rod Anchor	1	SS 304
5	Spring	1	SS 301
6	Handle Extension	1	SS 304
7	Sleeve	1	PVC
8	Washer	2	SS 304
9	Hex Nut	2	SS 304
10	Socket Head Screws	2	SS 304
11	Washer	1	SS 304
12	Nut	1	SS 304

OPEN



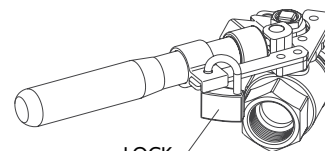
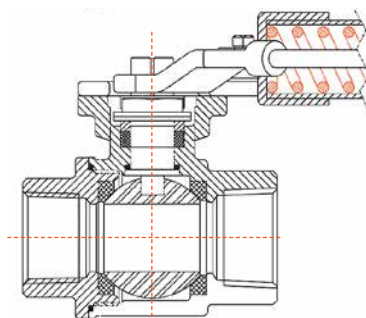
CLOSE



DIMENSIONS & TORQUE

Kit Part No.	L	J*	D (ISO 5211)	Torque
S71-504-00	170	9	F03/F04	15Nm
S71-507-00	207	9	F03/F04	20Nm
S71-507-01	220	11	F04/F05	20Nm
S71-508-00	275	11	F04/F05	30Nm
S71-508-01	280	14	F05/F07	30Nm
S71-509-01	450	14	F04/F05/F07	55Nm

*Available unmachined



LOCK
Locking device

FUSIBLE LINK EMERGENCY SHUTDOWN QUARTER TURN VALVES

Valves designed with fire control in mind are crucial to any piping system carrying flammable fluids or gases. Our spring actuated assemblies are designed to fail-close when a fire breaks out, halting the flow which may be adding to or compounding the fire intensity. Valves on the deluge system can be activated to fail-open when heat is sensed, immediately flooding the area with water.

Our fusible link assembly provides the ideal fire protection solution. Designed to melt when environmental heat reaches a predetermined setting, the fusible link separates and allows the spring to drive the valve into the fail-open or fail-closed position. The fire sensitive unit mounts directly onto a quarter turn valve and can be manually operated when required. Unless specified otherwise, spring assemblies will be furnished for spring-to-close operation.

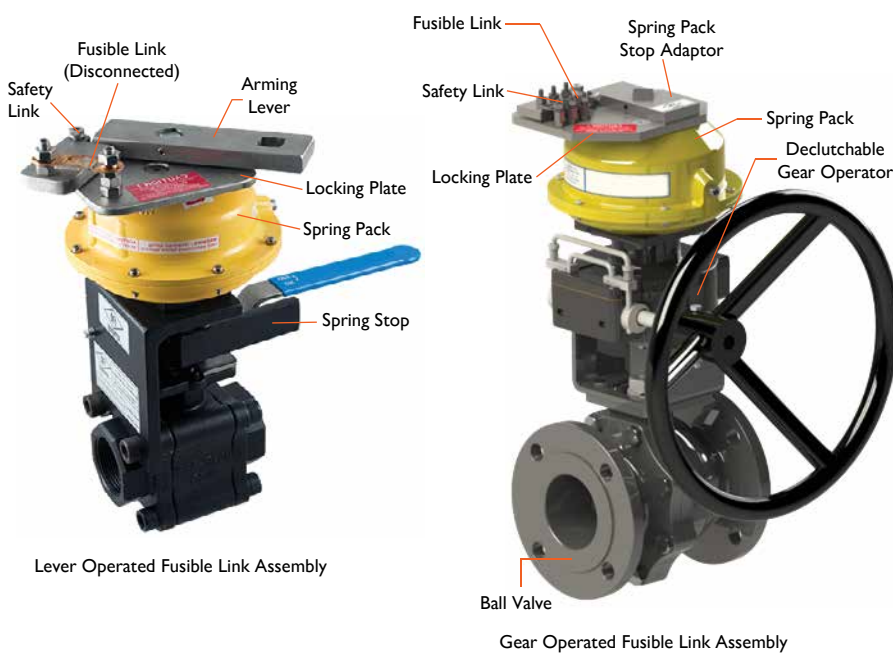
The spring module is completely enclosed for maximum safety and the fusible link is mounted externally for environmental sensitivity. The spring actuated assemblies can be retrofitted to many existing valves and are fully field-adjustable. Optional limit switches are available for remote indication of open or closed positions. Typical applications for these units can be found in paint plants, chemical, or hydrocarbon processing facilities.



Shuts down in event of fire. Fusible link for quick quarter-turn operation in fail-safe valve positioning (fail-closed positioning).



A temperature sensitive valve actuator with a self-contained energy source, for automatic valve operation in the event of a fire (fail-closed positioning).

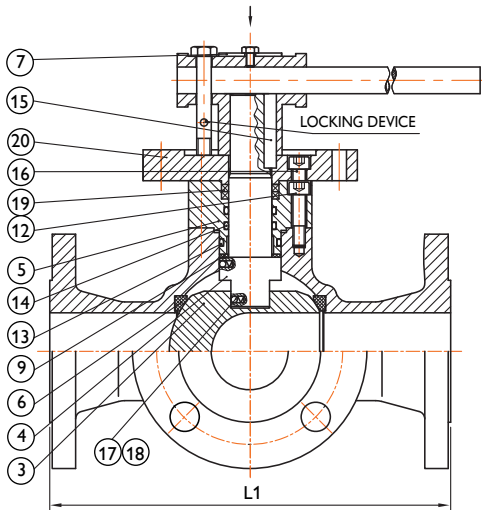


ESDV - Swing Check Valve with UL/FM approved fusible link. See page 7 of Flowturn Gate, Globe, Check Catalogue.

MULTIWAY SIDE ENTRY UNIBODY BALL VALVE MODEL SL8142-F

PORT TYPE	1	2	3	4
L (3 Seat)				
T (4 Seat)				
Double L (4 Way)				

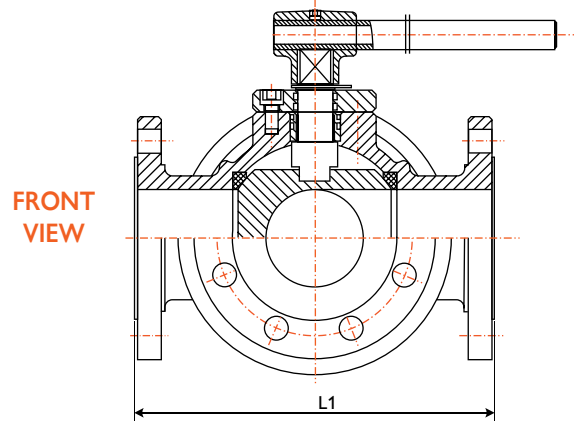
- Individually tested in factory for zero leakage.
- Adjustable Gland packing.
- Three/Four-seat design for positive shut off in all directions regardless of entry point.
- Media trapped in valve cavity is substantially reduced with 4 seat design.
- 90 Degree turn operation. (ISO mounting on Request)
- Trunnion supported ball for lower torque and longer service life. Four seat design allows even longer life by evenly distributing wear and increases leak tight integrity.
- Transflow style



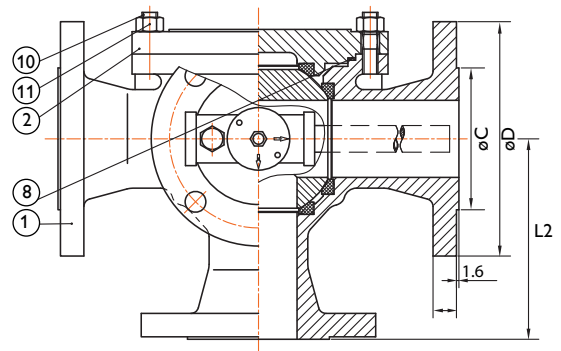
Also available:- (optional)
Firesafe Design c/w antistatic device, graphite stem packing, graphite body gaskets



Flanged Ends 3-Way 90 degree turn Ball Valves
Cast iron FC20, S.S 304 & 316. Flanged ASME B16.5, Full port, Cast steel body.
Size 40NB ~ 250NB (1½" ~ 10") 150#, 300#, 600#
Mounting ISO 5211



3 Seat Design (4 seat for T-Port) multi-directional shut off can be used in any direction.
Flow can be directed into any inlet as these valves have 3 seats on L port and 4 seats on T port.



MATERIALS LIST

No	Part Name	Material
1	Body	ASTM A216 WCB / A351 / CF8M
2	Cap	ASTM A216 WCB / A351 / CF8M
3	Ball	ASTM A182 F316
4	Stem	ASTM A182 F316
5	Uppercover	ASTM A105+ENP / A182-F316
6	Seats	RPTFE (4 Seats)
7	Indicating Plate	SS304 /SS316
8	Gasket	316+Graphite / PTFE
9	Thrust Washer	RPTFE
10	Bolt	ASTM A193 B7+ZN / B8M
11	Nut	ASTM A194 2H+ZN / B8M
12	Screw	ASTM A193 B7 + Zn
13	O-ring	Viton
14	O-ring	Viton
15	Key	AISI 1045 /316
16	Screw	ASTM A193 B7 / B8M
17	Spring	ASTM A276 316
18	Antistatic Device	ASTM A276 316
19	Packing	Graphite / PTFE
20	Adaptor	A105 / 316

MULTIWAY SIDE ENTRY SPOOLED BODY BALL VALVE BV-509HP SERIES

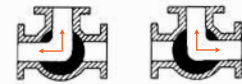
MODEL BV-509HP

- Full Port
- Trunnion Mounted
- Available in T-port, L-port, 3-way, 4-way, 5-way configuration.
- For food and general chemical service applications
- Firesafe available
- Flanged, screwed ends or weld ends.
- Self-adjusting stem packing
- Blow-out-proof stem design
- ISO 5211 actuator mounting pad on request.
- In-line repairable
- 90-degree handle movement, or 180-degree when specified.
- Carbon or stainless steel body construction
- Hydrostatic test pressure per API 598

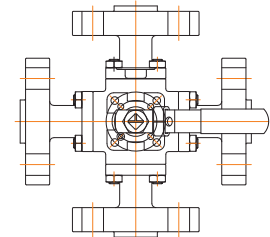
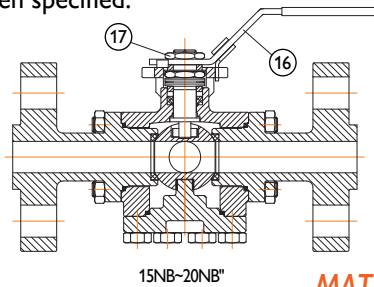
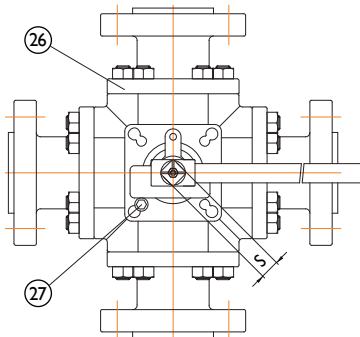
SPECIFICATIONS

Flange Ratings 600lbs, 900lbs
Temperature Range -40 to 232°C (-40 to 450°F)

L-PORT

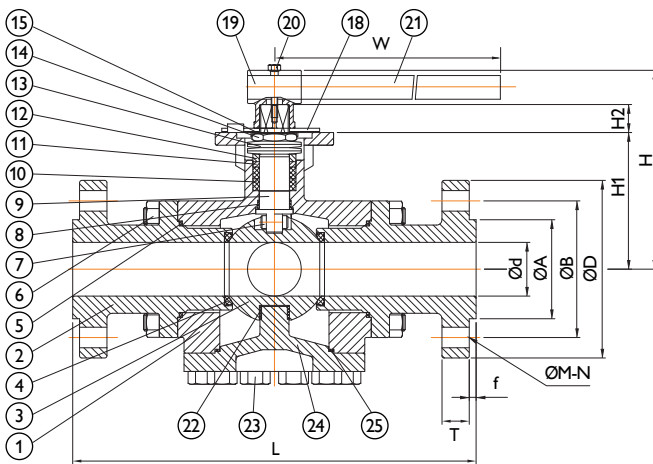


T-PORT



MATERIALS LIST

Item	Part Name	Material
1	Body	CF8M/WCB
2	End Cap	CF8M/WCB
3	Ball	CF8M
4	Ball Seats	Delrin/PEEK
5	Body Seal	TFM1600/Graphite
6	Body Bolt	ASTM A193 B8
7	Trunnion Pin	SS316
8	Stem	SS316
9	Thrust Washer	PEEK
10	Stem Packing	TFM1600/PEEK
11	Stem Bushing	Delrin/PEEK
12	Gland	SS301
13	Belleville Washer	SS410
14	Stem Nut	SS304
15	Lock Saddle	SS304
16	Handle	SS304
17	Handle Nut	SS304
18	Stopper Plate	SS304
19	Handle Adaptor	CF8
20	Adaptor Bolt	SS304
21	Handle Pipe	Carbon Steel
22	Trunnion Bushing	Delrin/PEEK
23	Trunnion Bolt	ASTM A193 B8
24	Trunnion Cap	CF8M/WCB
25	Trunnion Cap Seal	TFM1600/Graphite
26	Blank Cap	CF8M/WCB
27	Stop Pin	SS304



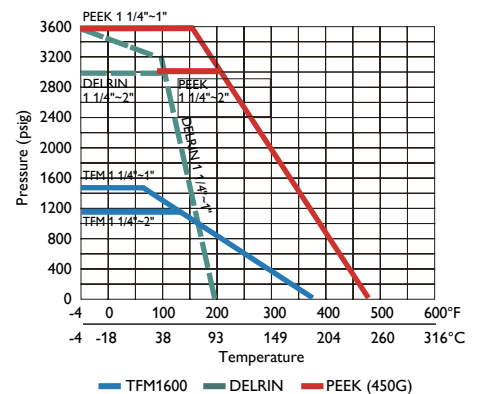
DIMENSIONS BV-509 CLASS 600 (MM)

Size	d	L	H	W	S	H1	H2	D	B	A	T	f	M	N	ISO 5211	
1/2"	15	15	210	112	160	11	52	11	95.3	66.5	35	14.2	6.4	16	4	F05
3/4"	20	20	248	123	160	11	63	11	117.3	82.6	43	15.8	6.4	19	4	F05
1	25	25	273	126	310	14	73	14	124.0	88.9	51	17.5	6.4	19	4	F05/F07
1-1/2"	40	38	343	145	310	17	92	17	155.5	114.3	73	22.4	6.4	22	4	F07/F10
2"	50	50	375	190	310	22	127	26	165.0	127.0	92	25.4	6.4	19	8	F10/F12

DIMENSIONS BV-509 CLASS 900 & 1500(MM)

Size	d	L	H	W	S	H1	H2	D	B	A	T	f	M	N	ISO 5211	
1/2"	15	15	216	112	160	11	52	11	120.7	82.6	35	22.4	6.4	22.0	4	F05
3/4"	20	20	255	123	160	11	63	11	130.0	88.9	43	25.4	6.4	22.0	4	F05
1	25	25	281	126	310	14	73	14	149.5	101.6	51	28.5	6.4	25.5	4	F05/F07
1-1/2"	40	38	355	145	310	17	92	17	177.8	124.0	73	31.8	6.4	28.5	4	F07/F10
2"	50	50	395	190	310	22	127	26	216.0	165.1	92	38.1	6.4	25.5	8	F10/F12

PRESSURE / TEMPERATURE



MULTIWAY SIDE ENTRY SPOOLED BODY BALL VALVE BV-509 SERIES

MODEL BV-509

- Full Port
- High Cycle triple barrier stem seal system
- Available in T-port, L-port, 3-way, 4-way, 5-way configuration.
- Available in firesafe
- Four seats
- Self-adjusting stem packing
- Blow-out-proof stem design
- Direct ISO 5211 actuator mounting pad.
- 90-degree handle movement, or 180-degree when specified.
- Carbon or stainless steel body construction
- Hydrostatic/Pneumatic test pressure per API 598

SPECIFICATIONS

Working Pressure

PN 10/16/25/40
150lbs, 300lbs

Temperature Range

-40 to 232°C (-40 to 450°F)

Flange Dimension

ISO PN10/16 & PN25/40
ANSI 150lbs, 300lbs



API 607 7th Edition
ISO 10497 Firesafe Certified



ISO 15848-1 CO2 CH
Fugitive Emission Certified



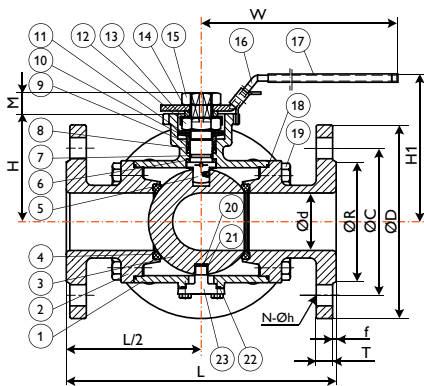
BV-509 DN15~50 (1/2"-2")



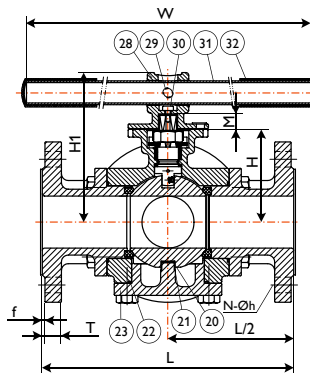
BV-509 DN65~100 (2-1/2"-4")



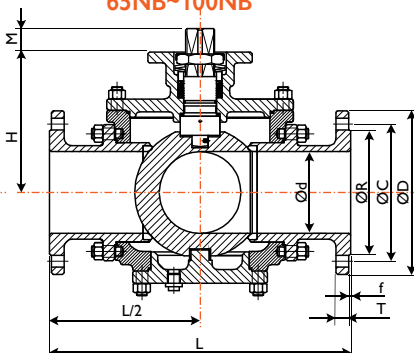
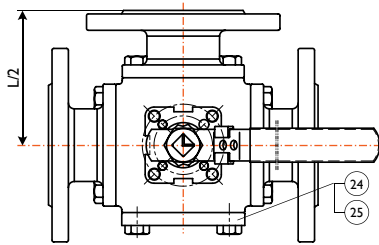
BV-509 DN125~200 (5"-8")



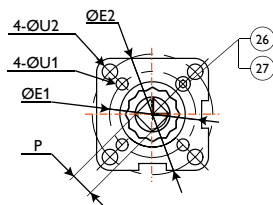
15NB~50NB



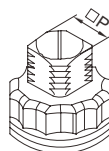
65NB~100NB



125NB~200NB (Gear operated)



Direct Mount Pad (ISO 5211)



MATERIALS LIST

No.	Part Name	Material		
1	Body	CF8M	CF8	WCB
2	End Cap (1)	CF8M	CF8	WCB
3	Ball	CF8M	CF8	
4	Ball Seat	PTFE/TFM1600		
5	Stem	316	304	
6	Thrust Washer	PTFE		
7	O-Ring	FKM		
8	Packing	PTFE/Grafoil		
9	Bushing	50%SS+50%PTFE/304		
10	Gland	316		
11	Belleville Washer	301		
12	Stem Nut	A194-8		
13	Stop-lock-cap	304		
14	Handle Gland	304		
15	Handle Nut	304		
16	Handle + Lock Device	304		
17	Handle Sleeve	Vinyl Plastic		
18	Body Gasket (1)	PTFE/Grafoil		
19	Bolting	A193-B8	A193-B7	
20	Washer	PTFE		
21	Jacket	PTFE		
22	Body Gasket (2)	PTFE/Grafoil		
23	Bottom Cap	CF8M	CF8	WCB
24	End Cap (2)	CF8M	CF8	WCB
25	Body Gasket (3)	PTFE/Grafoil		
26	Stop Bolt	A2-70		
27	Stop Nut	A2-70		
28	Handle Adapter	CF8		
29	Set Screwed	A2-70		
30	Bolting	A2-70		
31	Pipe Handle	A53+Plated Zn		
32	Handle Sleeve	Vinyl Plastic		

For 125~300 NB refer to separate drawing.

BV-509 SERIES

DIMENSIONS BV-509 CLASS 150

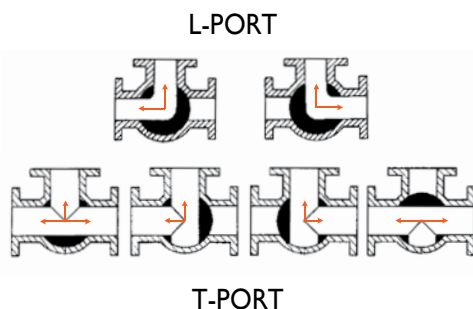
(MM)

Size		d	L	R	D	C	T	f	N	h	H	H1	W	P	M	E1	E2	U1	U2	ISO 5211
in	mm																			
1/2"	15	15	150	35.0	90	60.3	8.0	2	4	16.0	53.0	83	147	9	9	36	42	6	6	F03-F04
3/4"	20	20	165	43.0	100	69.9	8.9	2	4	16.0	57.0	87	147	9	9	36	50	6	7	F03-F05
1"	25	25	181	51.0	110	79.4	9.6	2	4	16.0	68.0	99	177	11	11	42	50	6	7	F04-F05
1-1/4"	32	32	190	63.5	115	88.9	11.2	2	4	16.0	72.0	103	177	11	11	42	70	6	9	F04-F07
1-1/2"	40	38	212	73.0	125	98.4	12.7	2	4	16.0	85.0	119	197	14	14	50	70	7	9	F05-F07
2"	50	49	229	92.0	150	120.7	14.3	2	4	19.0	92.0	126	197	14	14	50	70	7	9	F05-F07
2-1/2"	65	60	290	105.0	180	139.7	15.9	2	4	19.0	107.0	172	400	17	17	70	102	9	11	F07-F10
3"	80	75	310	127.0	190	152.4	17.5	2	4	19.0	119.0	185	400	17	17	70	102	9	11	F07-F10
4"	100	99	367	157.0	230	190.5	22.3	2	8	19.0	150.0	221	400	22	22	-	102	-	11	F10
5"	125	125	460	186.0	255	215.9	22.3	2	8	22.3	215.0	-	-	36	36	140	165	18	22	F14-F16
6"	150	150	490	216.0	280	241.3	23.9	2	8	22.3	228.5	-	-	36	36	140	165	18	22	F14-F16
8"	200	200	620	270.0	345	298.5	27.0	2	8	22.3	281.5	-	-	36	36	140	165	18	22	F14-F16

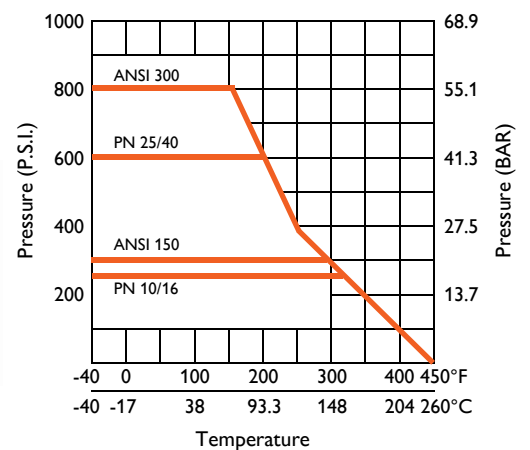
DIMENSIONS BV-509 CLASS 300

(MM)

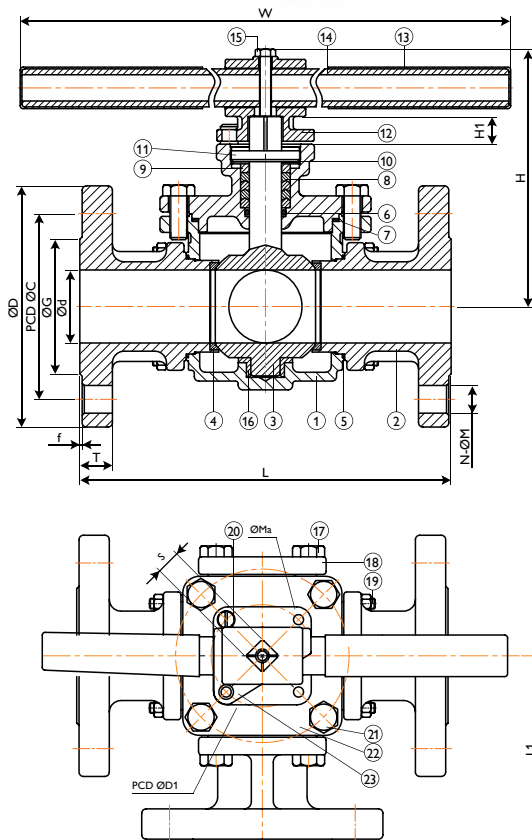
Size		d	L	R	D	C	T	f	N	h	H	H1	W	P	M	E1	E2	U1	U2	ISO 5211
in	mm																			
1/2"	15	15	150	35.0	95	66.7	12.7	2	4	16.0	53.0	83	147	9	9	36	42	6	6	F03-F04
3/4"	20	20	165	43.0	115	82.6	14.3	2	4	19.0	57.0	87	147	9	9	36	50	6	7	F03-F05
1"	25	25	181	51.0	125	88.9	15.9	2	4	19.0	68.0	99	177	11	11	42	50	6	7	F04-F05
1-1/4"	32	32	207	63.5	135	98.4	17.5	2	4	19.0	72.0	103	177	11	11	42	70	6	9	F04-F07
1-1/2"	40	38	234	73.2	155	114.3	19.1	2	4	22.3	85.0	119	197	14	14	50	70	7	9	F05-F07
2"	50	49	258	92.0	165	127.0	20.7	2	8	19.0	92.0	126	197	14	14	50	70	7	9	F05-F07
2-1/2"	65	60	316	104.7	190	149.2	23.9	2	8	22.3	107.0	172	400	17	17	70	102	9	11	F07-F10
3"	80	75	360	127.0	210	168.3	27.0	2	8	22.3	119.0	185	400	17	17	70	102	9	11	F07-F10
4"	100	99	398	157.0	255	200.0	30.2	2	8	22.3	150.0	221	400	22	22	-	102	-	11	F10
5"	125	125	480	186.0	280	235.0	33.4	2	8	22.3	215.0	-	-	36	36	140	165	18	22	F14-F16
6"	150	150	520	216.0	320	269.9	35.0	2	12	22.3	228.5	-	-	36	36	140	165	18	22	F14-F16
8"	200	200	660	270.0	380	330.2	39.7	2	12	25.4	281.5	-	-	36	36	140	165	18	22	F14-F16



PRESSURE / TEMPERATURE



MULTIWAY SPOOLED BODY BALL VALVE BV-509A SERIES



BILL OF MATERIALS

Item	Parts	Material		
1	Body			
2	Cap	ASTM A351-CF8M	ASTM A351-CF8	ASTM A216-WCB
3	Ball & Stem			ASTM A351-CF8M
4	Seat	RPTFE		
5	Gasket	PTFE		
6	O-Ring	Viton		
7	Gasket	PTFE		
8	Packing	PTFE		
9	Gland Ring	SUS 304		
10	Spring Washer	SUS 301		
11	Cap-C	ASTM A351-CF8M	ASTM A351-CF8	
12	Handle Head	ASTM A351-CF8		
13	Handle Sleeve	Plastic		
14	Handle Pole	Galvanised Pipe		
15	Handle Bolt	SUS 304		
16	Sleeve	PTFE/RTFE		
17	Cap-B Bolt	SUS 304		Carbon Steel
18	Cap-B	ASTM A351-CF8M	ASTM A351-CF8	ASTM A216-WCB
19	Bolt			Carbon Steel
20	Stop Pin	SUS 304		
21	Cap-A Bolt			Carbon Steel
22	Cap-A	ASTM A351-CF8M	ASTM A351-CF8	ASTM A216-WCB
23	Lock Device	SUS 304		

FEATURES

End Flange Dimension ASME B16.5

Design ASME B16.34

Investment Cast Body

ISO 5211 Mounting Pad

Trunnion Mount / Full Port

90° degree turn operation. Four seats

L-Port or T-Port available / 360° Pad

FLOW PATTERN

PORT TYPE	1	2	3	4
L				
T				

DIMENSIONS 150LB

Size		d	G	C	D	L	L1	H	H1	W	T	f	S	D1	N	M	Ma	Weight (Kg)		Torque (N-m)
in	mm																	L-Port	T-Port	
1-1/4"	32	32	64	89	117	221	110.5	171	19	403	12.7	1.6	17	70	4	16	10	-	-	71.5
1-1/2"	40	40	73	98.5	127	221	110.5	171	19	403	14.3	1.6	17	70	4	16	10	12.8	12.6	71.5
2"	50	50	92	120.5	152	254	127	176	19	403	15.9	1.6	17	70	4	19	10	16.3	16.2	104
2-1/2"	65	65	105	139.5	178	300	150	208	24	504	17.5	1.6	22	102	4	19	12	27.6	26.5	156
3"	80	76	127	152.5	190	305	152.5	216	24	504	19.1	1.6	22	102	4	19	12	34	33.9	234
4"	100	96	157	190.5	229	369	184.5	236	24	504	23.9	1.6	22	102	8	19	12	63.4	61.9	286
6"	150	148	216	241.5	279	480	240	329	38	800	25.4	1.6	36	140	8	22	18	151	147.5	494
8"	200	200	270	298.5	343	630	315	354	40	1000	28.6	1.6	36	140	8	22	18	274.4	270.4	715

MULTIWAY SCREWED END BALL VALVE BV-2057/BVL500~L540 SERIES



BV2057 (Standard Mount Pad)

MODEL BV-2057

Flowturn 3-way valves provide lateral diverting flow from a common inlet to either side exit with a quarter turn, alternatively diverting flow from a single source to two different lines. The valve is a Transflow-Diverting type, so the possibility of completely stopping flow during port positioning is eliminated. However, this also means probable product mixing during a portion of the port change. Care must be taken at a blocked port not to exceed that of the flowing media by more than 1723 kPa (250 psi), or temperature at the blocked port not to exceed flowing media more than 93°C (200°F). The valves are designed for flow either into or out of the common side port.

These valves are 90 degree turn, side entry, available in reduced and full port.



BV-L500~L540 L/T (Direct Mount Pad)

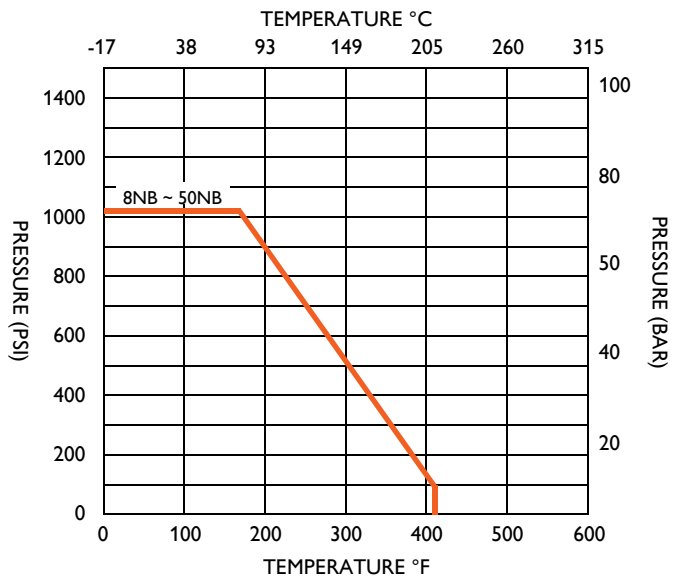
FEATURES

- Threaded ends conform to ASME B1.20.1 (NPT) DIN 2999 & BS 21 ISO 228/1 & ISO 7/1 & BSPT
- Investment casting
- Blow-out proof stem
- Standard port (Full bore on request)
- 6890 kPa (1000 psi) W.O.G.
- PTFE seat, seal, packing
- Firesafe trim available
- Mounting pad tapping
- L port or T port
- Locking Device
- Anti-static device (option)
- ISO 5211 Direct mounting pad (option)



Deadman Lever option (Spring Return)

PRESSURE TEMPERATURE RATING



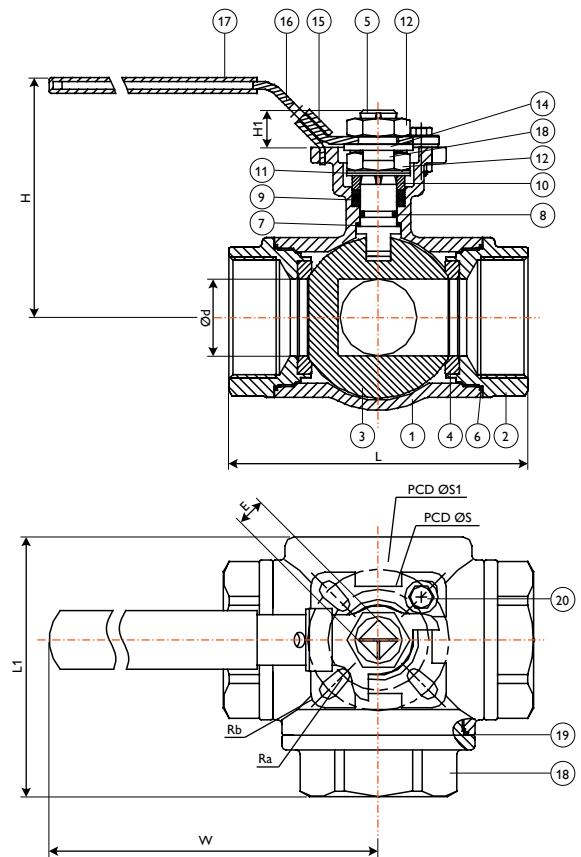
MODEL BV-2057/BV-L500~L540 L/T

DIMENSIONS

Size		d	L	L1	H	W	S	S1	H1	E	Ra	Rb	Torque (N-M)
mm	in												
8	1/4	11.6	76	58.5	73	123	36	42	9	9	3	3	10
10	3/8	12.5	76	58.5	73	123	36	42	9	9	3	3	10
15	1/2	12.5	76	58.5	73	123	36	42	9	9	3	3	10
20	3/4	16	86	72	76	123	36	42	9	9	3	3	15
25	1	20	99	81.5	87	153	42	50	11	11	3	3.5	22
32	1-1/4	25	117	94.5	93	153	42	50	11	11	3	3.5	30
40	1-1/2	32	124	104	110	183	50	70	14	14	3.5	4.5	47
50	2	38	148	125	119	183	50	70	14	14	3.5	4.5	58

MATERIALS LIST

Item	Parts	Material
1	Body	ASTM A351-CF8M
2	Cap-A	
3	Ball	
4	Seat	PTFE
5	Stem	AISI 316
6	Seal-A	PTFE
7	Thrust Washer	PTFE
7a	Thrust Washer	PEEK or 50%SS+50% PTFE
8	O-Ring	VITON
9	Packing	PTFE
10	Gland	AISI 304
11	Belleville Washer	
12	Stem Nut	
13	Locking Washer	
14	Handle Washer	
15	Locking Device	
16	Handle	
17	Handle Sleeve	PVC
18	Cap-B	ASTM A351-CF8M
19	Seal-B	PTFE
20	Stop Pin	AISI 304



Indicative drawing/s. Bill on materials only for standard port direct mount version. Refer to as 'built' drawing.

PORT TYPE	1	2	3	4
L				
T				



AUSTRALIAN PIPELINE VALVE®

COMPLETE PRODUCT LINE

“Australian Pipeline Valve produces isolation, control and flow reversal protection products for severe and critical service media in utility, steam, pipelines, oil & gas and process industries. APV valves and pipeline products form the most competitive portfolio in the market.”



SUPER-CHECK®



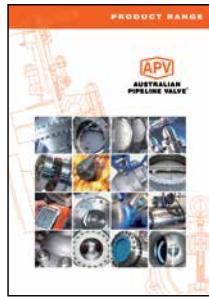
TORQTURN®

TWIN-LOK®

UNIFLO®



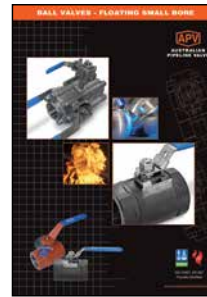
AUSTRALIAN PIPELINE VALVE BRAND RANGE - CATALOGUES



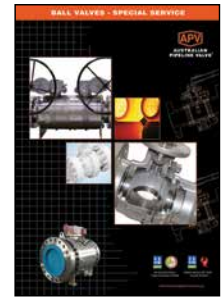
Product Brochure



Ball Valves Floating & Trunnion Mounted



Ball Valves Floating Small Bore



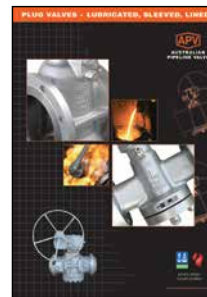
Ball Valves Special Service



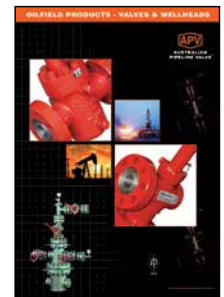
Gate, Globe & Check Valves - Cast Steel



Gate, Globe & Check Valves - Forged Steel



Plug Valves Lubricated, Sleeved & Lined

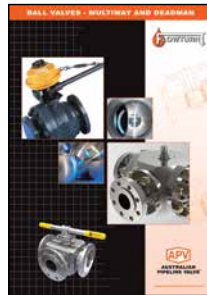


Oilfield Products Valves & Wellheads

APV FAMILY OF BRANDS RANGE - CATALOGUES



Diamond Gear Gearboxes



Flowturn Ball Valves Multiway & Deadman



Flowturn Gate, Globe & Check Valves



Flowturn Instrument Valves



Flowturn Strainers & Sight Glasses



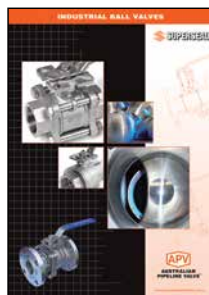
Steamco Steam Valves



Supercheck Wafer Check Valves



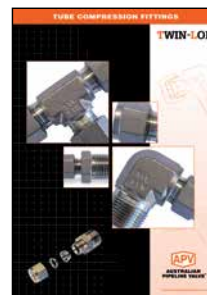
Superseal Butterfly Valves



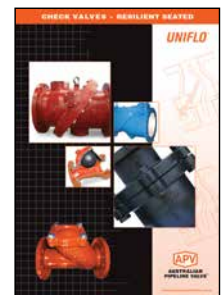
Superseal Industrial Ball Valves



Torqturn Actuators



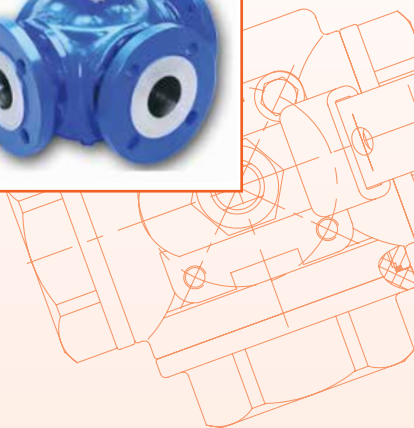
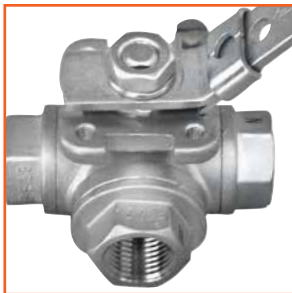
TwinLok Tube Fittings



Uniflo Check Valves

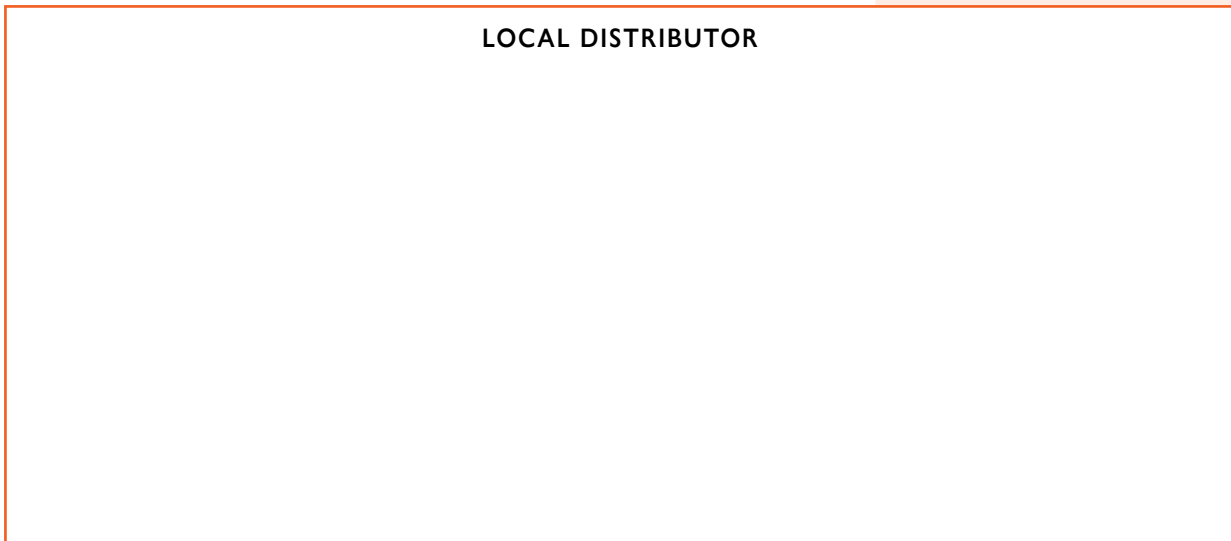
Contact us for your local stockist/distributor

APV AUSTRALIAN PIPELINE VALVE®



www.australianpipelinevalve.com.au

LOCAL DISTRIBUTOR



QUALITY ASSURANCE AND CERTIFICATION

We are continually improving all facets of quality assurance. Full metallurgical and test certificates are always supplied for all pressure retaining parts.

We have endeavoured to provide a broad outline of our range and capabilities. Because we are continually developing new products for our customers this catalogue will, to some extent be incomplete. This catalogue is a general overview only, individual drawings and data sheets can be furnished on request.

If you have any requirement in the field of valves, please contact us for a prompt response. Continuous development of Australian Pipeline Valve products may necessitate changes in the design or manufacturing processes. Australian Pipeline Valve reserves the right to effect any such changes without prior notice.

